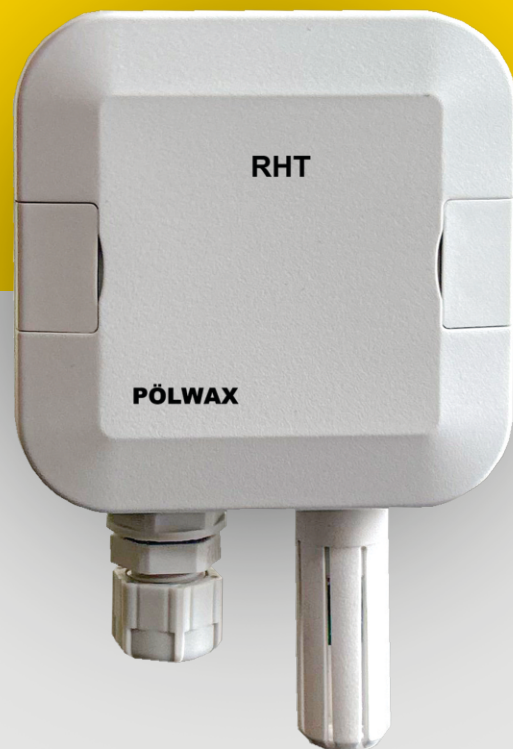


Technical Datasheet

TEMPERATURE & HUMIDITY TRANSMITTER PLX RHT 50



TRANSMITTER PLX RHT 50

The top technologies are used in the PLX RHT 50 transmitter series. excellent precision, outstanding stability, relative humidity, and temperature gauges The measured values are transformed into linear signals from 4 to 20 mA.

Full setup of the microprocessor-based circuit is possible. using the POLWAX_Confi PC interface and the output range Software that runs on Windows®. The humidity signal can be set to either relative humidity or absolute humidity. or dew point production. The wall-mounted applications are the exclusive focus of the PLX RHT 50 variant.



Features

- With and without Display
- 4~20mA/ 0~10VDC output for temperature & humidity
- Modbus RTU RS485
- Duct mounted
- Excellent linearity
- Wide sensing range
- Good long term stability
- High reliability
- Easy installation
- High Accuracy
- Low Power Consumption
- Compact Design
- Customizable Options

Configuration

Utilizing an interface connected to a PC and the POLWAX_Confi software, the PLX RHT 50 is configured. The configuration allows one to select the sensor failure conditions, adjust measuring deviations (zero correction), and configure the transmitted output range (upscale or downscale). The programming software menu can also digitally provide sensor internal data such as the serial number, product version, and model. The default parameters are as follows: Humidity measuring range: 0 to 100%; Temperature measuring range: -40 to 100°C; Upscale signal outputs when sensor break or failure.

Installation

This little electrical module separates the sensor from internal module self-heating while performing quick and accurate measurements. The sensor probe must be mounted with the tip facing downward. To access the electrical terminal connectors and the two wall mounting

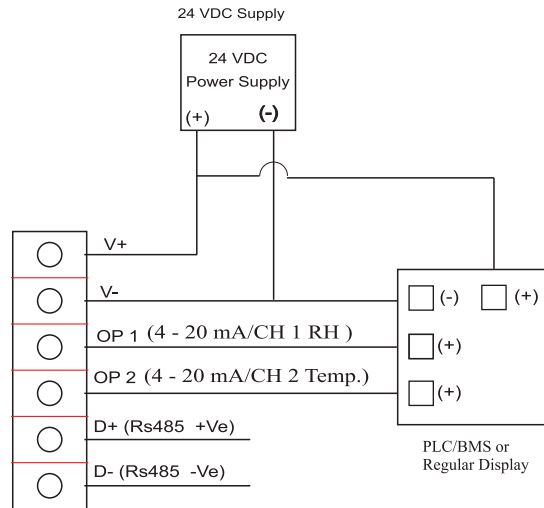




Technical Details

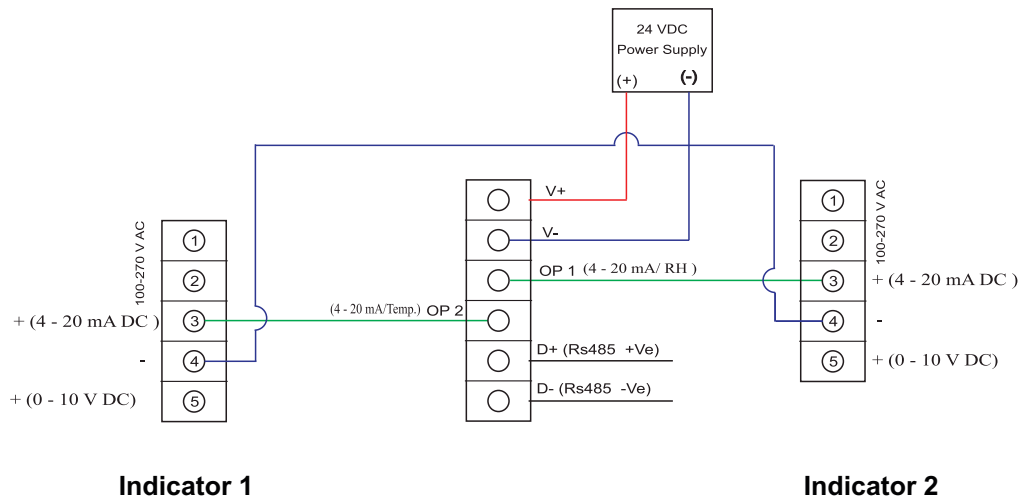
Channels	Temperature & Humidity
Accuracy	Temperature: $\pm 0,4$ °C (0 °C to 60 °C) Relative humidity: ± 1.8 % RH to 23 °C (0 % to 90 % RH) Temperature effect over 5...50 °C and 10–90 % rH
Measuring Range	Temperature : -40...110 °C Humidity : 0...100 %
Measuring Units	°C, % rH
Measurement Elements	External temperature sensor, thermoset polymer capacitive sensing element for humidity
Supply Voltage	12 Vdc to 30 Vdc; maximum consumption 70 mA +/- 10% @ 24 Vdc
Output Signal 1	0/2...10 V or 4...20 mA (linear to rH) (2–10 V output: display required)
Output Signal 2	0/2...10 V or 4...20 mA (linear to Temp) (2–10 V output: display required)
Modbus RTU Output	Rs485 Modbus RTU
Color	White Grey
Dimensions:	75 x 35 x 75 mm
Protection Standard	IP65

Input Supply : 24VDC Output Signal : 4-20 mA (3wire)



Temperature-Humidity Transmitter
RHT 50 / 100

Input Supply : 24VDC Output Signal : 4-20 mA (3wire)



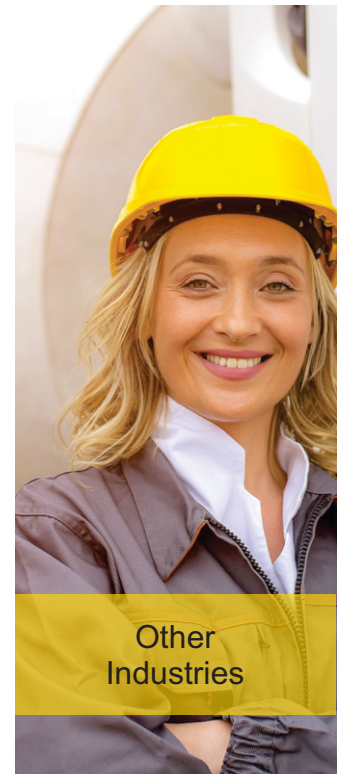
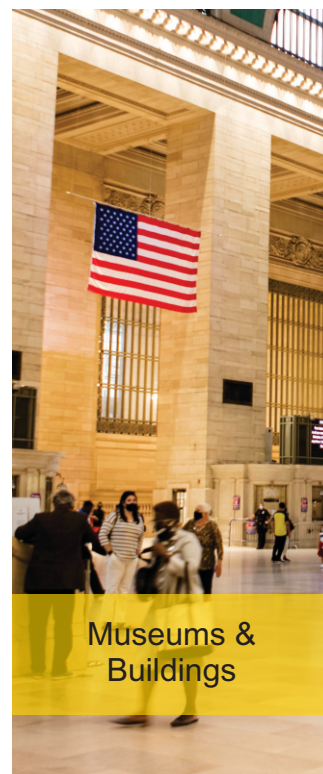
Temperature-Humidity Transmitter
RHT 50 / 100

Temperature & Humidity Transmitter Polwax RHT

Unlimited Applications

Typical application fields of the Polwax CLIMA Data loggers

- Food services (refrigerated containers, cold storage, production and carriage of food)
- Health (storage of medicines, vaccines, blood, monitoring of incubators and operating rooms)
- Greenhouses and agriculture
- Environmental analyses (Air quality, meteorology and hydrology)
- Monitoring of solar panels
- Museums and document archives
- Transportation of perishable goods
- Air conditioning
- Clean rooms
- Laboratories
- Industrial processes
- Buildings, offices, schools





POLWAX Group has got an experienced, highly-qualified project team conducting extensive R&D operations. Owing to that, goods holding the POLWAX brand feature customer-tailored flexibility and meet requirements of various industries.

Polwax International Co.

Contrada De Angelis 953,
Piano 1, Giordano laziale, KR 11432 Italy
export@polwax.it
www.polwax.it

Poland

Apt. 324 al. Modzelewski 9940,
Sedziszów Małopolski, ZP 44-153
www.global.polwax.it

Philippines

40769 Wisoky Route Suite 979
www.global.polwax.it

Vietnam

Subida Marilu, 86,
Cornellá de Llobregat, Ext 27926
www.global.polwax.it

Norway

Kr Bikerlands gate 77,
Porsgrunn, 3936
www.global.polwax.it

India

A12/45, sector - 2 Bharti Vidyapeeth Marg,
CBD Belapur, Navi Mumbai - 400615
Maharashtra, India
www.polwax.in



IMPORTANT NOTICE AND DISCLAIMER

POLWAX PROVIDES TECHNICAL AND RELIABILITY DATA (INCLUDING DATA SHEETS), DESIGN RESOURCES (INCLUDING REFERENCE DESIGNS), APPLICATION OR OTHER DESIGN ADVICE, WEB TOOLS, SAFETY INFORMATION, AND OTHER RESOURCES "AS IS" AND WITH ALL FAULTS, AND DISCLAIMS ALL WARRANTIES, EXPRESS AND IMPLIED, INCLUDING WITHOUT LIMITATION ANY IMPLIED WARRANTIES OF MERCHANTABILITY, FITNESS FOR A PARTICULAR PURPOSE OR NON-INFRINGEMENT OF THIRD-PARTY INTELLECTUAL PROPERTY RIGHTS. These resources are intended for skilled developers designing with Polwax products. You are solely responsible for (1) selecting the appropriate Polwax products for your application, (2) designing, validating, and testing your application, and (3) ensuring your application meets applicable standards, and any other safety, security, regulatory or other requirements. These resources are subject to change without notice. Polwax grants you permission to use these resources only for development of an application that uses the Polwax products described in the resource. Other reproduction and display of these resources is prohibited. No licence is granted to any other Polwax intellectual property right or to any third-party intellectual property right. Polwax disclaims responsibility for, and you will fully indemnify Polwax and its representatives against, any claims, damages, costs, losses, and liabilities arising out of your use of these resources. Polwax's products are provided subject to Polwax's Terms of Sale or other applicable terms available either on polwax.it or provided in conjunction with such Polwax products. Polwax's provision of these resources does not expand or otherwise alter Polwax's applicable warranties or warranty disclaimers for Polwax products. Polwax objects to and rejects any additional or different terms you may have proposed.

IMPORTANT NOTICE : Mailing Address: Polwax International Co, Contrada De Angelis 953,
Piano 1, Giordano laziale, KR 11432 Italy Copyright © 2024, Polwax International Co. Incorporated